



Blokrete Business Offices, Mosta Road, Lija, LJA 9012, Malta

26

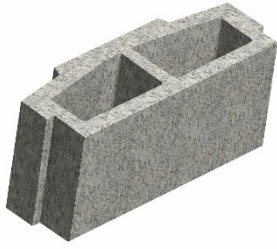
RB 200_8_0

EN 15037-2:2019

Product Type C: **BLKRB-200-8**

Intended use (s)

For use as infill blocks in beam and block floor and roof systems.

Dimensions:	l: 480 mm, w: 200 mm, h: 250 mm.
Category:	D1
Configuration: Concrete roof block for beam and block systems.	
Compressive strength: mean:	$\geq 3 \text{ N/mm}^2$
Unit Category	Category II
Reaction to fire	A1
Gross dry density	875 kg/m^3

Other information: www.blokrete.com.mt